



## FAQ / Application Note

**Subject : ERS(ECM)-PNV COM2/COM5/COM6 RS422/485 configuration**

**FAQ Document No:** H11003

**Date:** 2011/08/05

**Model Name.** ECM-PNV-A1R, ECM-PNV-B1R, ERS-PNV

**Rev.** A1

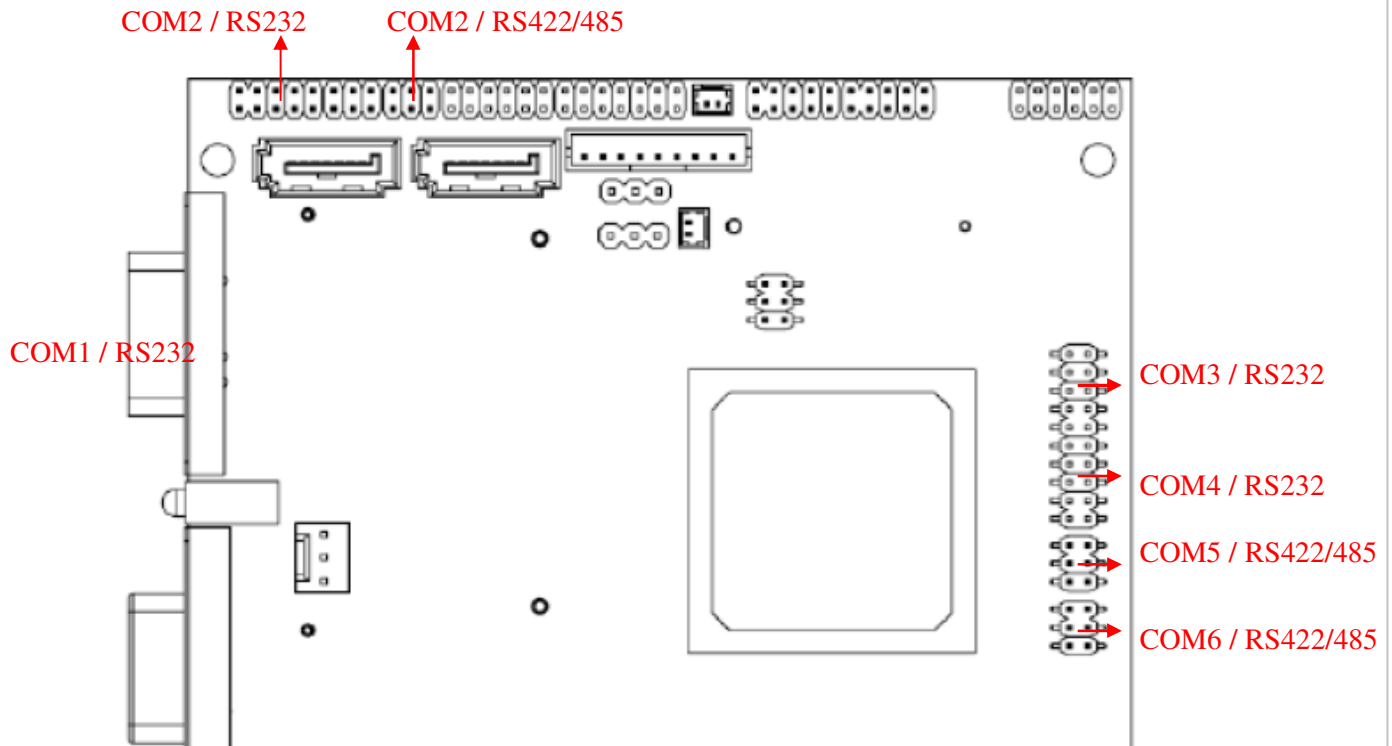
**Category:** General H/W S/W Others, setting

**Purpose :**

**ERS(ECM)-PNV A and ECM-PNV B supports 6 COM ports,**

**Since both of hardware and BIOS should be modified for RS422/485 mode, this AP note can help you to set up the system properly.**

There are six COM ports on ERS(ECM)-PNV (hardware version A) and ECM-PNV (hardware version B).  
The layout shown below.



**Avalue Technology Inc.**

7F, 228, Lian-Cheng Road, Chung Ho City, Taipei, Taiwan R.O.C.

www.avalue.com.tw  
sales@avalue.com.tw  
Tel:+886-2-82262345  
Fax:+886-2-82262777

Avalue Europe  
sales.europe@avalue.com.tw  
Tel: +45-7025-0310  
Fax: +45-4975-5026

Avalue USA  
sales@avalue-usa.com  
Tel: +1-732-578-0200  
Fax: +1-732-578-0250

BCM Advanced Research  
BCMSales@bcmcom.com  
Tel: +1-949-470-1888  
Fax: +1-949-470-0971

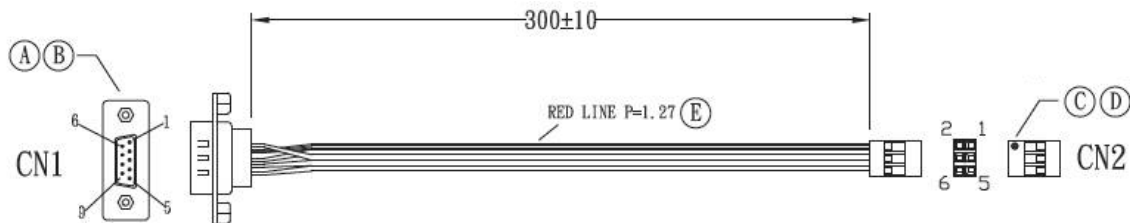
Avalue China  
sales.china@avalue.com.cn  
Tel: +86-21-5426-3399  
Fax: +86-21-6495-0370

## 1 , COM2

The default mode of COM2 is RS232.

If you want to have COM2 RS422 or 485, both of hardware and BIOS should be modified.

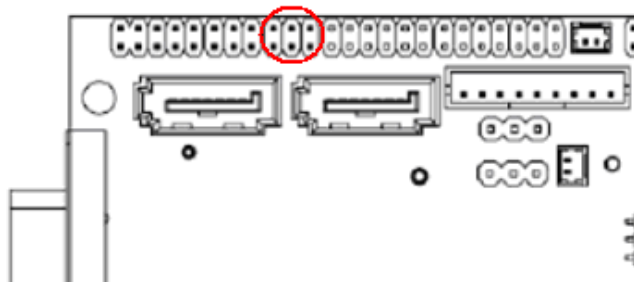
A, Cable part number: **E1701150300R**



Cable mapping shown below

CN1 (DB9)		CN2		
signal	PIN	PIN	Signal(RS485)	Signal(RS422)
DCD	1			
RxD	2	4		RX+
TxD	3	3	Data+	TX+
DTR	4			
GND	5	6	GND	GND
DSR	6			
RTS	7	2		RX-
CTS	8	1	Data-	TX-
RI	9			

B, Connector: use connector **J422/485\_1**



**Avalue Technology Inc.**

www.avalue.com.tw  
sales@avalue.com.tw  
Tel:+886-2-82262345  
Fax:+886-2-82262777

Avalue Europe  
sales.europe@avalue.com.tw  
Tel: +45-7025-0310  
Fax: +45-4975-5026

Avalue USA  
sales@avalue-usa.com  
Tel: +1-732-578-0200  
Fax: +1-732-578-0250

7F, 228, Lian-Cheng Road, Chung Ho City, Taipei, Taiwan R.O.C.

BCM Advanced Research  
BCMSales@bcmcom.com  
Tel: +1-949-470-1888  
Fax: +1-949-470-0971

Avalue China  
sales.china@avalue.com.cn  
Tel: +86-21-5426-3399  
Fax: +86-21-6495-0370

C, BIOS setting: Advanced → SuperIO Configuration → Serial Port2 Type  
 choose 232, 422 or 485



## 2, COM5 / COM6

The default mode of COM5/6 is RS422

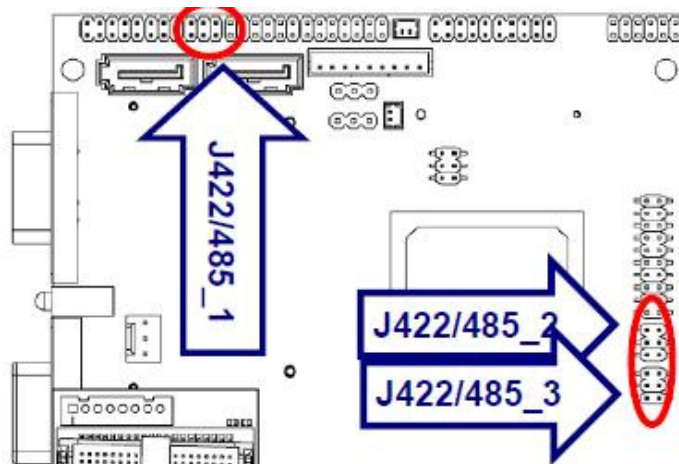
If you want to have COM5/6 RS485, please use proper cable and BIOS should be modified.

A, cable part number: **E1701150300R**

B, connector:

COM5 is labeled as “**J422/485\_2**”

COM6 is labeled as “**J422/485\_3**”



**Avalue Technology Inc.**

7F, 228, Lian-Cheng Road, Chung Ho City, Taipei, Taiwan R.O.C.

www.avalue.com.tw  
 sales@avalue.com.tw  
 Tel:+886-2-82262345  
 Fax:+886-2-82262777

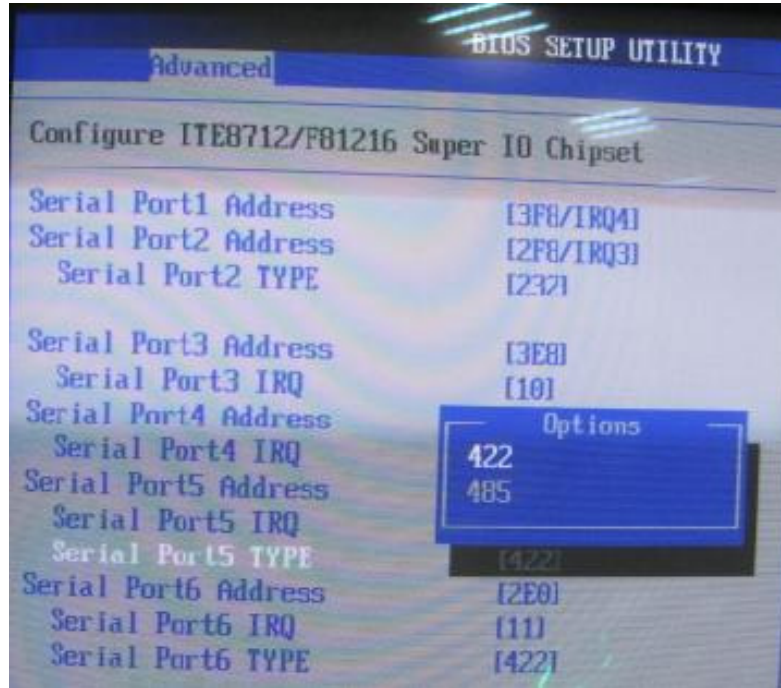
Avalue Europe  
 sales.europe@avalue.com.tw  
 Tel: +45-7025-0310  
 Fax: +45-4975-5026

Avalue USA  
 sales@avalue-usa.com  
 Tel: +1-732-578-0200  
 Fax: +1-732-578-0250

BCM Advanced Research  
 BCMSales@bcmcom.com  
 Tel: +1-949-470-1888  
 Fax: +1-949-470-0971

Avalue China  
 sales.china@avalue.com.cn  
 Tel: +86-21-5426-3399  
 Fax: +86-21-6495-0370

C, BIOS setting: Advanced → SuperIO Configuration → "Serial Port 5 Type" and "Serial Port 6 Type"  
choose 422 or 485



**Avalue Technology Inc.**

7F, 228, Lian-Cheng Road, Chung Ho City, Taipei, Taiwan R.O.C.

www.avalue.com.tw  
sales@avalue.com.tw  
Tel:+886-2-82262345  
Fax:+886-2-82262777

Avalue Europe  
sales.europe@avalue.com.tw  
Tel: +45-7025-0310  
Fax: +45-4975-5026

Avalue USA  
sales@avalue-usa.com  
Tel: +1-732-578-0200  
Fax: +1-732-578-0250

BCM Advanced Research  
BCMSales@bcmcom.com  
Tel: +1-949-470-1888  
Fax: +1-949-470-0971

Avalue China  
sales.china@avalue.com.cn  
Tel: +86-21-5426-3399  
Fax: +86-21-6495-0370