

## FAQ / Application Note

**Subject:** Dedicated vs Shared IPMI port

FAQ Document No: G23001

Date: 2023/03/08

Model Name. HPM-SRSUA

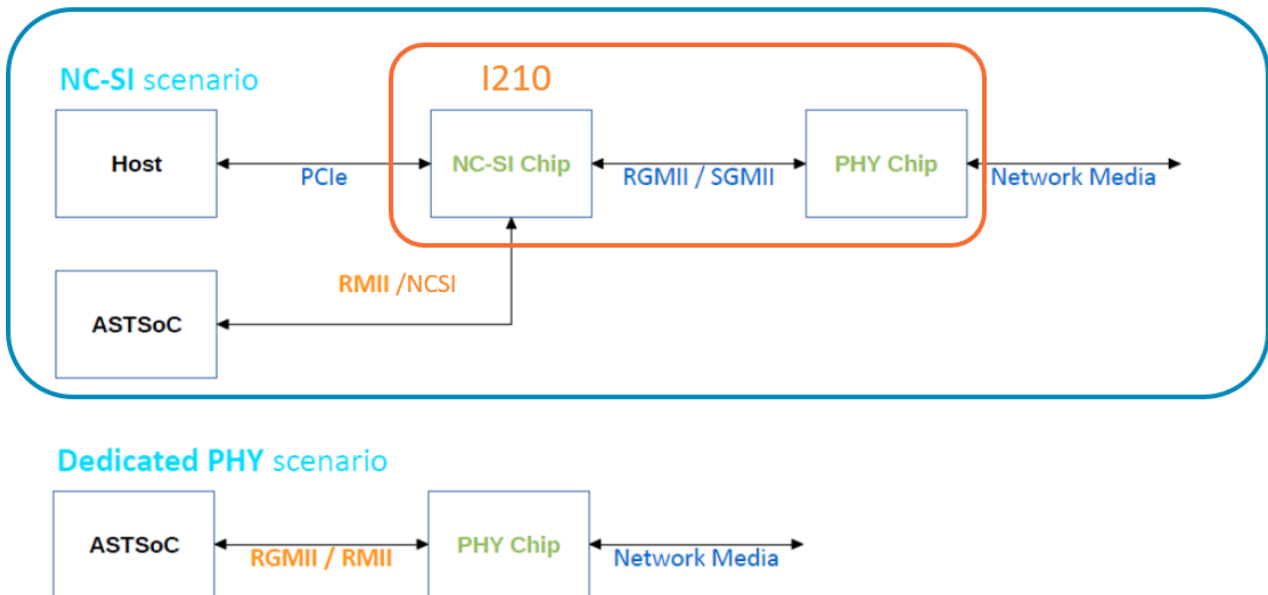
Rev. A1

Category:  General  H/W  S/W  Others, 寫小分類

**Purpose:**

Know the difference of NC-SI and dedicated LAN

### Dedicated PHY scenario vs NC-SI(Shared) scenario



### Network Controller Sideband Interface (NC-SI)

NC-SI, is an electrical interface and protocol defined by the Distributed Management Task Force (DMTF). The NC-SI enables the connection of a baseboard management controller (BMC) to network interface controllers (NICs) in a server computer system for the purpose of enabling out-of-band system management. This allows the BMC to use the network connections of the NIC ports for the management traffic, in addition to the regular host traffic.

The NC-SI defines a control communication protocol between the BMC and NICs. The NC-SI is supported over several transports and physical interfaces.

**Avalue Technology Inc.**

7F, 228, Lian-cheng Road, Zhonghe Dist., New Taipei City 235, Taiwan

www.avalue.com.tw  
sales@avalue.com.tw  
Tel: +886-2-8226-2345  
Fax: +886-2-8226-2777

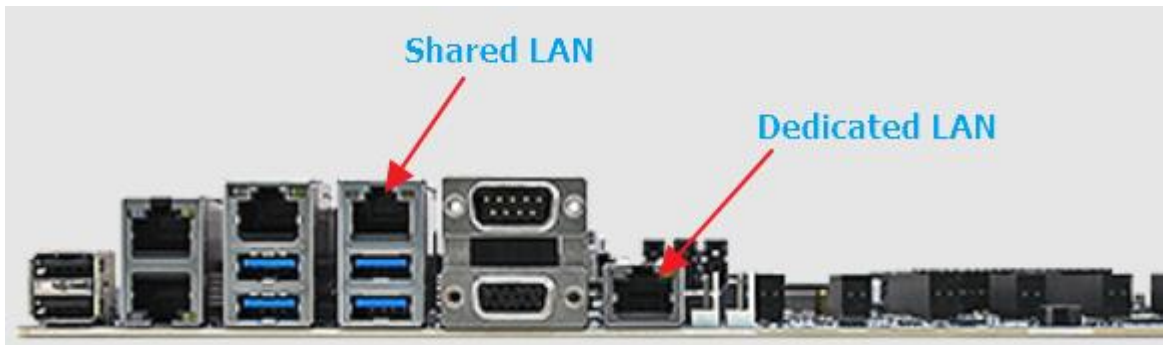
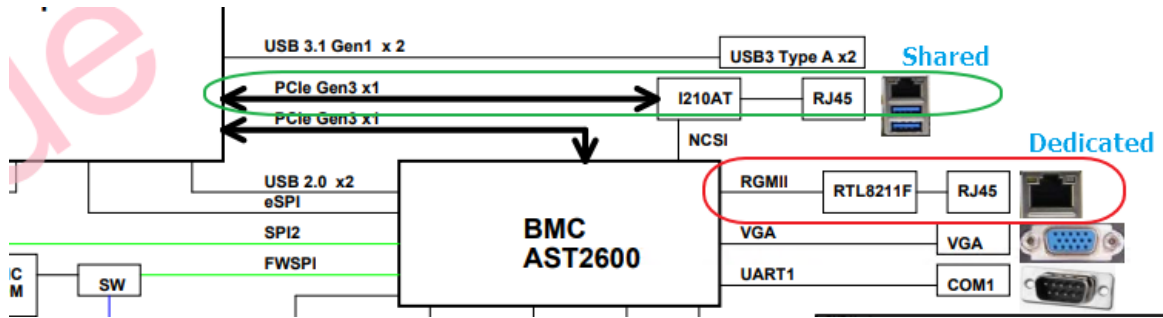
Avalue USA  
sales@avalue-usa.com  
Tel: +732-414-6500  
Fax: +732-414-6501

Avalue Japan  
sales.japan@avalue.co.jp  
Tel: +81-3-5807-2321  
Fax: +81-3-5807-2322

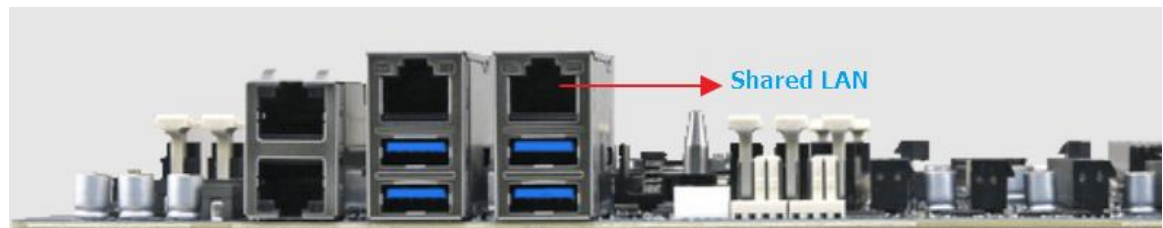
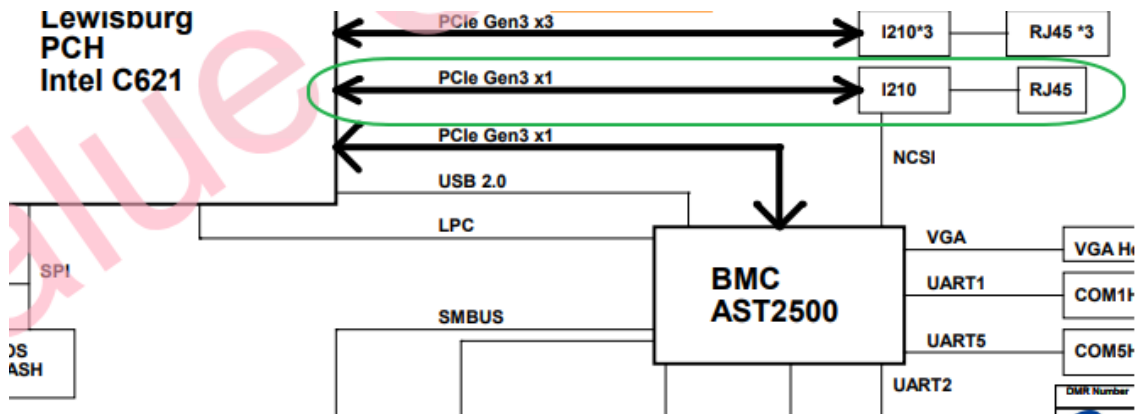
Avalue China  
sales.china@avalue.com.cn  
Tel: +86-21-5169-3609  
Fax: +86-21-5445-3266

Avalue European Service Centre  
eu\_rma\_service@avalue.com.tw  
Tel: +31-251-7002-87

**HPM-SRSUA**



**HPM621**



**Avalue Technology Inc.**

7F, 228, Lian-cheng Road, Zhonghe Dist., New Taipei City 235, Taiwan

www.avalue.com.tw  
 sales@avalue.com.tw  
 Tel: +886-2-8226-2345  
 Fax: +886-2-8226-2777

Avalue USA  
 sales@avalue-usa.com  
 Tel: +732-414-6500  
 Fax: +732-414-6501

Avalue Japan  
 sales.japan@avalue.co.jp  
 Tel: +81-3-5807-2321  
 Fax: +81-3-5807-2322

Avalue China  
 sales.china@avalue.com.cn  
 Tel: +86-21-5169-3609  
 Fax: +86-21-5445-3266

Avalue European Service Centre  
 eu\_rma\_service@avalue.com.tw  
 Tel: +31-251-7002-87



## Q&A

### 1. Which one is recommended for BMC management?

A dedicated LAN is usually a local area network dedicated to server management. By establishing a private LAN connection between the server and the management computer, the administrator can access and manage the server without worrying about collisions or interference with other network traffic.

If you have a limited budget or space for network cabling, NC-SI may be a good option as it uses the existing network infrastructure. However, if you have security concerns, a dedicated LAN may be a better choice.

In summary, the choice between NC-SI and a dedicated LAN for BMC management depends on your specific needs, budget, and security requirements.

### 2. What is the bandwidth of dedicated LAN?

Bandwidth of dedicated LAN which is RTL8211F is 1000Mbps.

## Avalue Technology Inc.

7F, 228, Lian-cheng Road, Zhonghe Dist., New Taipei City 235, Taiwan

www.avalu.com.tw  
sales@avalu.com.tw  
Tel: +886-2-8226-2345  
Fax: +886-2-8226-2777

Avalue USA  
sales@avalu-usa.com  
Tel: +732-414-6500  
Fax: +732-414-6501

Avalue Japan  
sales.japan@avalu.co.jp  
Tel: +81-3-5807-2321  
Fax: +81-3-5807-2322

Avalue China  
sales.china@avalu.com.cn  
Tel: +86-21-5169-3609  
Fax: +86-21-5445-3266

Avalue European Service Centre  
eu\_rma\_service@avalu.com.tw  
Tel: +31-251-7002-87