

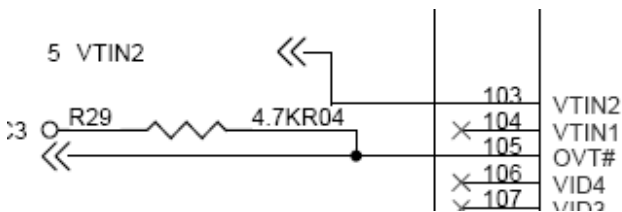
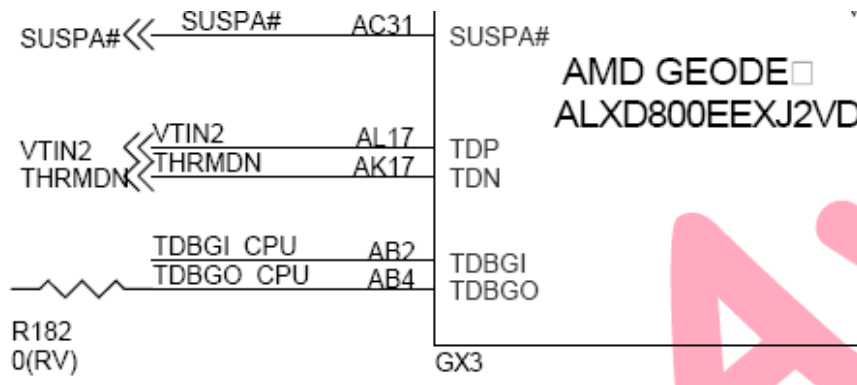


## FAQ / Application Note

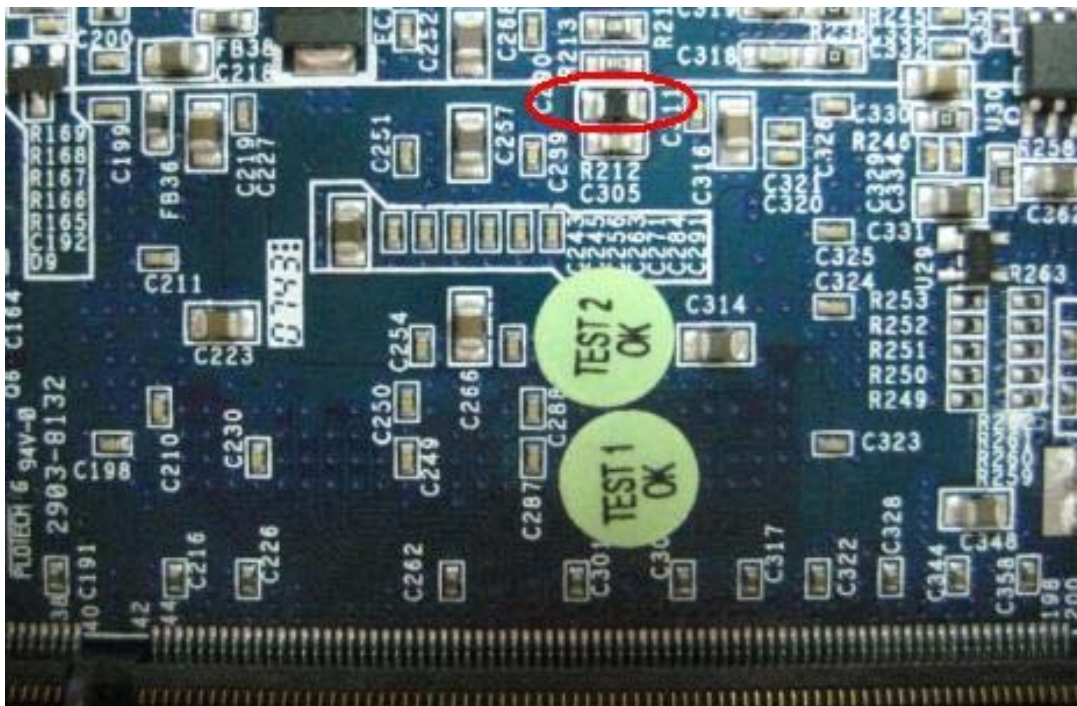
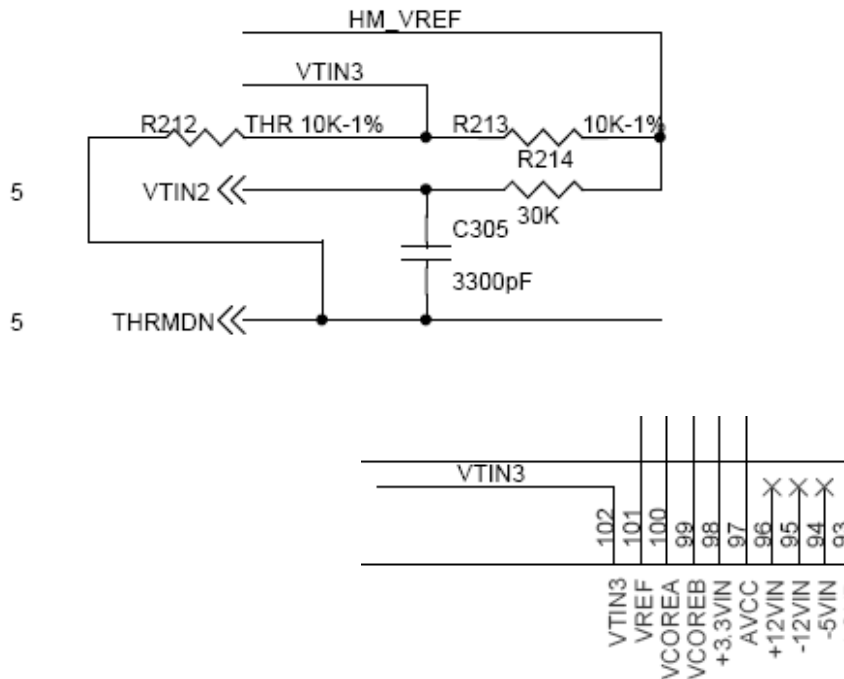
|   |                         |
|---|-------------------------|
| <b>Subject : Hardware Monitor sensors on ECM-LX800</b>  |                         |
| <b>FAQ Document No: H08016</b>  | <b>Date: 2008/08/27</b> |
| <b>Model No. ECM-LX800</b>  | <b>Rev. A1</b>          |
| <b>Category:</b> <input type="checkbox"/> General <input checked="" type="checkbox"/> H/W <input type="checkbox"/> S/W <input type="checkbox"/> Others, _____ |                         |
| <b>Purpose :</b><br><b>To show the circuit and resistor of hardware monitor sensors on ECM-LX800.</b>   |                         |

There are two hardware monitor sensors on ECM-LX800,  
One for CPU, one for system

1, CPU temperature sensor is from LX800 CPU to W83627HG



2. System temperature is from R212 to W83627HG. R212 is on the top of Memory slot on the rear side of ECM-LX800.



Hardware monitor data is not only shown on BIOS “PC Health Status”

To use Avalue API (Avalue provide sample code for DOS and Window OS), you can get data from W83627HG directly and show it on your Application.

**Avalue Technology Inc.**

[www.avalue.com.tw](http://www.avalue.com.tw)

**Headquarters:** Tel: 886-2-8226-2345  
**Europe office:** Tel: 45-7025-0310  
**US office:** Tel: 1-732-578-0200  
**China office:** Tel: 86-21-5426-3399

**Fax:** 886-2-8226-2777  
**Fax:** 1-732-578-0250  
**Fax:** 86-21-6495-0370

**Email:** sales@avalue.com.tw  
**Email:** sales.europe@avalue.com.tw  
**Email:** sales@avalue-usa.com  
**Email:** sales.china@avalue.com.tw